

DC Volt Electro Magnetic
Pedestal CLUTCHPAK.



Typical FLOMAX self-priming PUMP with
DC Volt Electro
Magnetic Pedestal
CLUTCHPAK.

Model No. 27049 - 12 Volt DC Electro Magnetic CLUTCHPAK

Model No. 27065 - 24 Volt DC Electro Magnetic CLUTCHPAK

Model No. 27066 - 32 Volt DC Electro Magnetic CLUTCHPAK

This new Electro Magnetic CLUTCHPAK can be mounted to standard MP PUMPAKS.

FLOMAX 5 (1-1/2") and FLOMAX 8 (2") self-priming PUMPAKS choice of bronze, aluminum or cast iron.

Also MP straight centrifugal Series - 30 (1" x 3/4") - Series 80 (1-1/2" x 1-1/4") - Series 110 (1-1/2" x 1-1/4") - Series 130 (2" x 1-1/2"). Will mount to this Electro Magnetic CLUTCHPAK. Most models available in bronze cast iron and aluminum. All these pumps have metal - not flexible impellers.

28528



MP PUMPS, INC.

TECUMSEH PRODUCTS COMPANY

34800 BENNETT DRIVE • FRASER, MI 48026-1686
(313) 293-8240 TLX 358-238 FAX (313) 293-8469

ELECTRO MAGNETIC D.C. CLUTCHPAK

12 - 24 - 32 Volt D.C.

Heavy Duty
Pedestal Mount
6" Double Groove
Pulley - Fits A
Section Belts

CLUTCHPAK

Model 27049
12 Volt D.C.
Model 27065
24 Volt D.C.
Model 27066
32 Volt D.C.

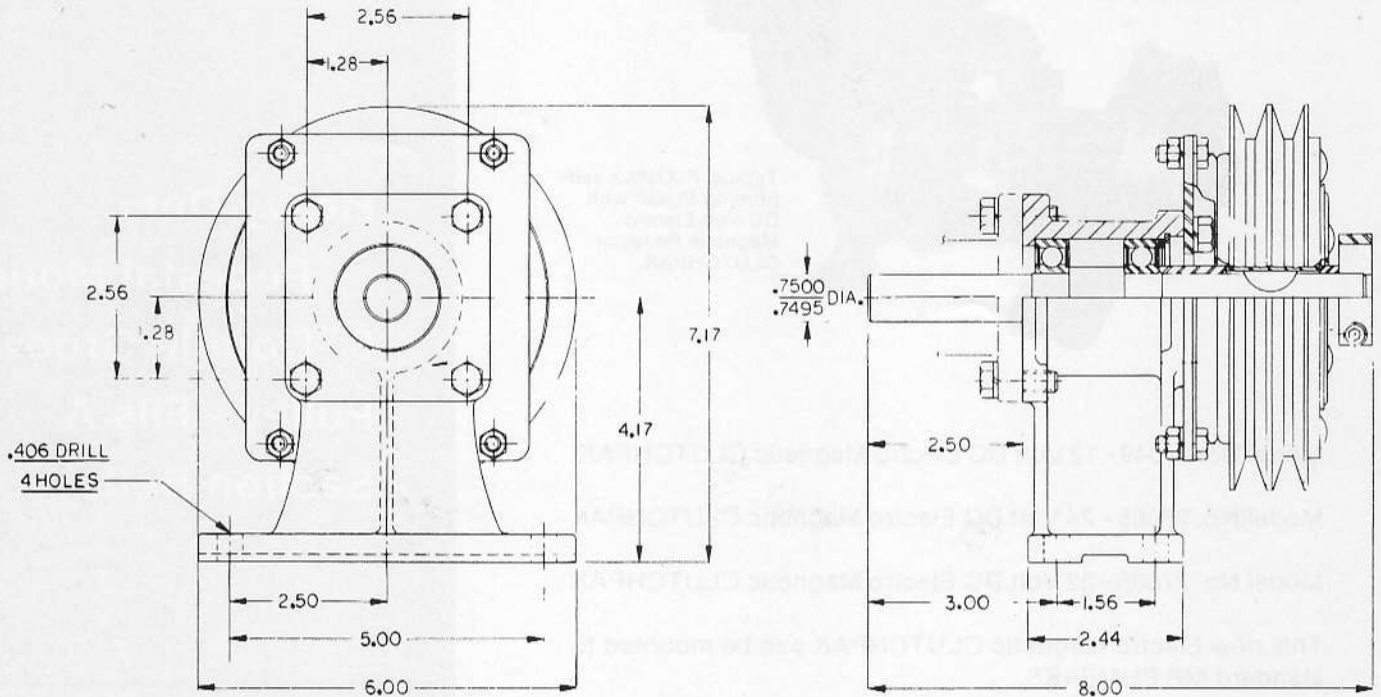
ELECTRO MAGNETIC CLUTCHPAK

12 - 24 - 32 Volt D.C.

VOLTAGE	CURRENT	MAXIMUM STARTING TORQUE
12v	4.0	75 LB. FT.
24v	2.5	75 LB. FT.
32v	2.0	75 LB. FT.

MAXIMUM 5 H.P. @ 1750 RPM
MAXIMUM 10 H.P. @ 3450 RPM

NOTE:
PITCH DIA."A" BELT 5.476 IN.



MP PUMPS, INC.
TECUMSEH PRODUCTS COMPANY
 34800 BENNETT DRIVE • FRASER, MI 48026-1686
 (313) 293-8240 TLX 358-238 FAX (313) 293-8469